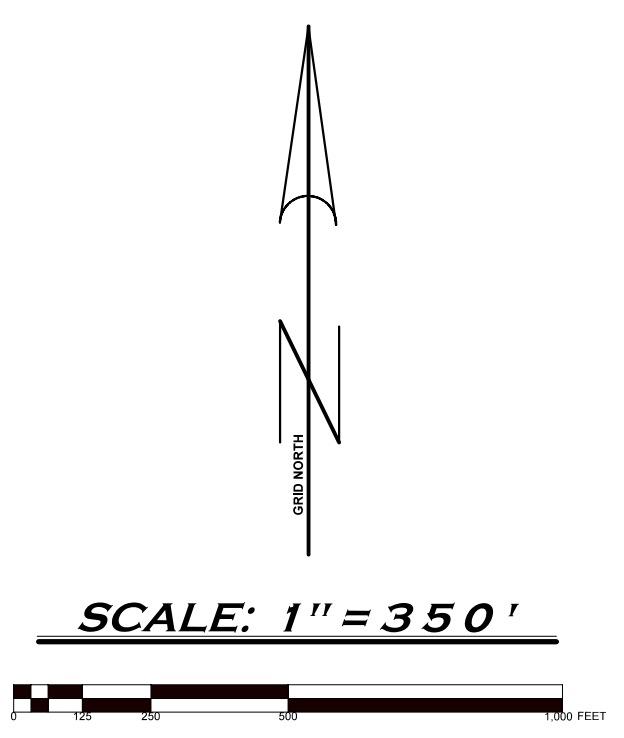


68
The Resort at GR, Condo



SYMBOLS:

	TMF Defendant Parcel Lines & Number
	TMF Defendant Easement - Right of Way
	Other Easement - Right of Way
	Other Parcel Lines
	Road Names

TMF Defendants
PARCEL MAP
Goose Rocks Beach
 IN THE
TOWN OF KENNEBUNKPORT, COUNTY OF YORK,
STATE OF MAINE
 BY
MAINE BOUNDARY CONSULTANTS
Professional Land Surveyor
ROBERT A. YARUMIAN II, PLS
 MODERATION CENTER, 8 RIVER ROAD, ROUTE 112, P.O. BOX 67,
 BUXTON, MAINE 04093-0067
 207-727-5359
May 15, 2012 **Scale 1" = 350'**

2012Goose Rocks BeachTMFDefendants Parcel Map Final 5-15-12.dwg